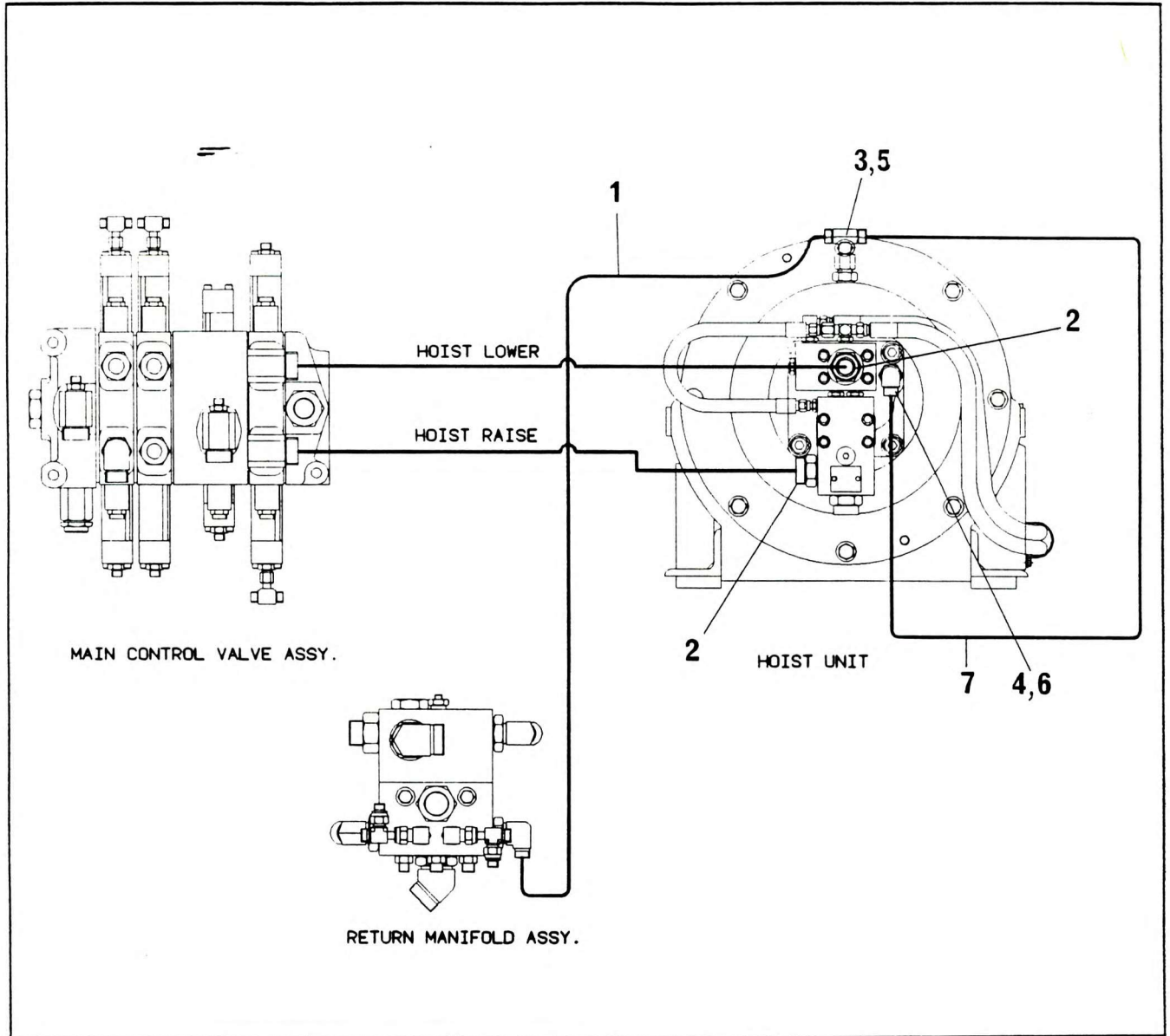


HYDRAULIC SYSTEM - SUPER MAIN HOIST



NO.	PART NO.	QTY.	DESCRIPTION	NO.	PART NO.	QTY.	DESCRIPTION
1 +	6-543-991462	1	Hose Set Super Main Hoist				
2	7-447-161601	2	Straight Thread Adaptor				
3	7-447-081001	1	Straight Thread Adaptor				
4	7-447-080833	1	Female Elbow 90°				
5	7-447-080835	1	Branch Tee				
6	7-447-080601	1	Straight Thread Adaptor				
7	7-555-306810	1	Hose Assy ½"				

+ See further breakdown in this group